



WATER & AIR

NEW
IMPROVED
SPECIFICATION

Humidity / Temperature probe **rht+**



Highest quality, meteorological
specification sensors



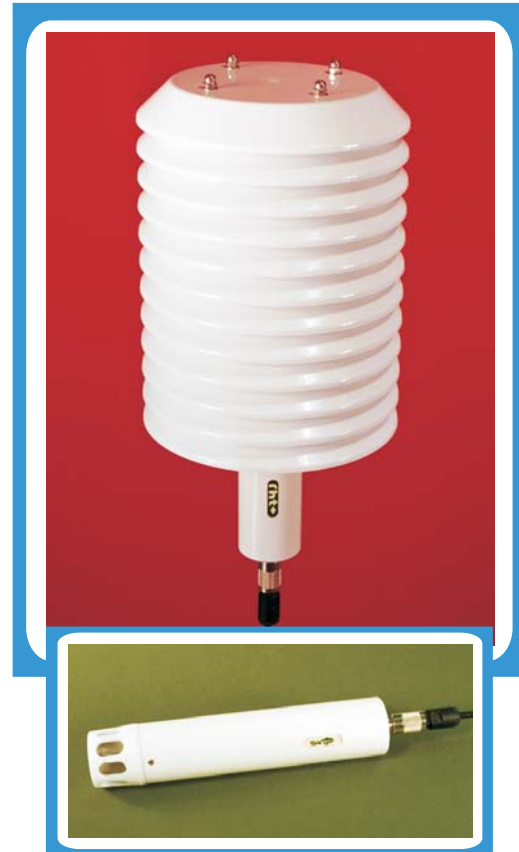
Fully recalibratable



Easy 'plug & play' interchange



Choice of temperature elements and
outputs



Skye have been manufacturing high quality, robust and reliable relative humidity and temperature probes since 1985. These meteorological specification sensors are ideal for all outdoor, glasshouse and high humidity applications.

The new **rht+** range uses the same well proven, high specification sensor elements as previous models, but is now controlled by state of the art digital electronics. An extra

advantage of the new micro-electronics is the new compact, slimline design, making installation easy and simple.

These probes are fully recalibratable - they are not throw-away as with some models. Standardised outputs mean they are 'plug & play', simply exchange probes and rotate stock to keep all systems in calibration for maximum measurement accuracy.

There is a range of temperature elements for preferred output

and accuracy. Choose from a linear 0-1 volt output, RS232, digital, thermistor or PT100* temperature element. For other output choices please see the SKH 2000 series probes.

The **rht+** probe can be used with Skye's new design radiation screen for accurate measurement of shade temperature outdoors, or as a bare probe in indoor, shaded installations.

* Fully sealed, platinum wire PT100 (not a thin film resistor type which are prone to drifting)

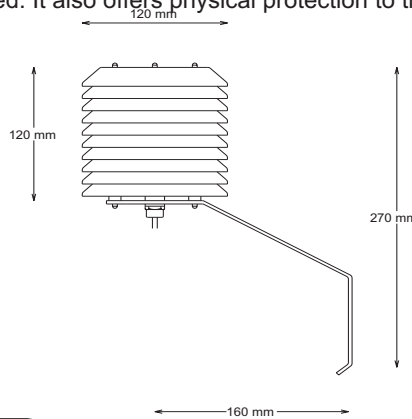
SPECIFICATIONS

Dimensions	Weight	Construction	Cable	Sensor		
	160g excluding cable and connector	White painted aluminium body with PTFE grade A sensor head, fitted with 32 micron stainless steel gauze protection	3m screened cable	RH: Capacitive Temperature : Digital, PT100* or 10kohm thermistor		
Operating / Measuring Range	Output Signals Humidity	Output Signals Temperature	Response Time	Recalibration		
0-100% RH -40 to +60°C (extended temperature range available)	0-1V (options up to 0-4V) RS232 (2 decimal places) with CALCOMM	Digital T: 0-1V or RS232 with CALCOMM PT100 : 0-1V Thermistor : direct resistance (10kohm curve matched)	Typically less than 10 secs between 10 and 75% RH for 90% of the step	Fully recalibrateable Recalibration kit available		
Accuracy Humidity	Accuracy Temperature	Excitation Time	Power Supply	Power Consumption	Resolution Humidity	Resolution Temperature
Better than 2%	Digital T : typ $\pm 0.2^{\circ}\text{C}$ max $\pm 0.5^{\circ}\text{C}$ PT100 : typ $\pm 0.15^{\circ}\text{C}$ max $\pm 0.35^{\circ}\text{C}$ Thermistor : max $\pm 0.2^{\circ}\text{C}$ (0-60°C)	RH : 450 msec Digital T: 750 msec PT100 : 10 msec Thermistor : 0 msec	5-15VDC	SKH 2060 7mA (max 9mA) SKH 2065 10mA (max 12mA) SKH 2070 7mA (max 9mA)	0-1V : 0.025% RH RS232 : 0.012% RH	Digital T : 0.125°C PT100 : datalogger dependant Thermistor : datalogger dependant

RADIATION SCREEN

NOTE: if the **rht+** relative humidity and air temperature probes are to be used outdoors or in direct sunshine, then a radiation screen should be fitted. A radiation screen ensures that accurate shade temperature, not direct sunlight temperature, is measured. It also offers physical protection to the probe when outdoors.

Example: SKRS 085S
Radiation screen with bracket for mounting on a mast or wall. Fixings are included for masts up to 38mm diameter.



MATERIAL
Radiation screens : white, UV resistant plastic.
Pole mount: white painted aluminium

WEIGHT
625g including pole mount

ORDERING INFORMATION

Sensors

- SKH 2060 **rht+** probe with digital temperature sensor. Output 0-1V
- SKH 2065 **rht+** probe with PT100 temperature sensor. Output 0-1V
- SKH 2070 **rht+** probe with 0-1V RH output and 10kohm thermistor temperature output.
- SKH 2080 Relative Humidity Probe with 3m cable. Output 0 - 1V
- SKH 2067 Air Temperature probe with PT100 + 3m cable. Output 0 - 1 V
- SKH 2072 Air Temperature probe with thermistor + 3m cable. Output 10k thermistor

Accessories

- SKRS 085S Radiation screen with pole / wall mount for **rht+** probe
- CALCOMM** **CALCOMM** unit for RS232 output and calibration procedures
- SKH 1094 Recalibration kit for **rht+** probes

Skye Instruments Ltd
21, Ddole Enterprise Park
Llandrindod Wells
Powys LD1 6DF
United Kingdom

TEL +44 (0)1597 824811
FAX +44 (0)1597 824812

EMAIL skyeemail@skyeinstruments.com
WEB <http://www.skyeinstruments.com>

