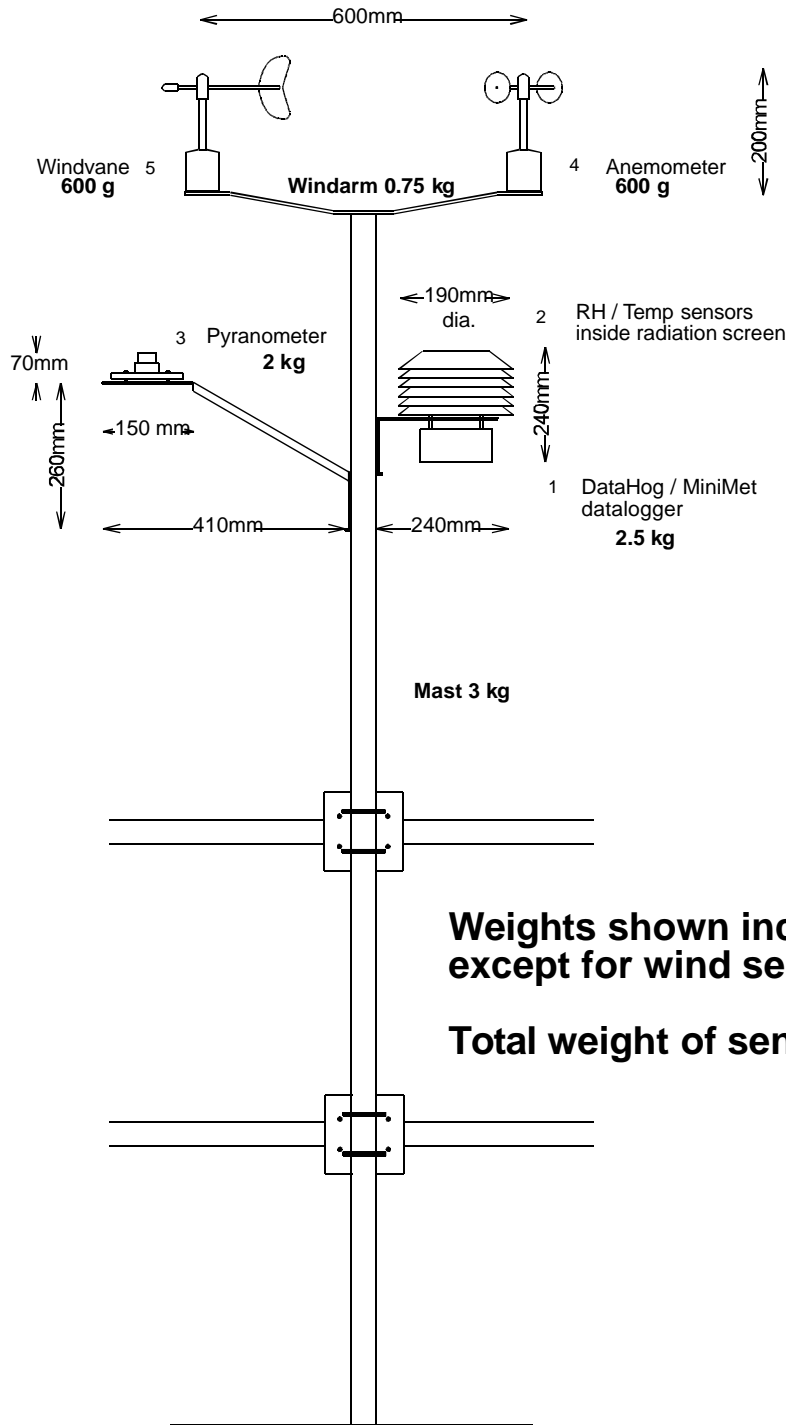




MINIMET

Fixing the Mast to a Handrail



The pole itself is clamped to the horizontal bars of the handrail. If possible the bottom of the pole is also secured by a base plate (supplied). The base plate can be attached to the roof or ground by any appropriate method, e.g. bolts, glue etc.

Dimensions of the datalogger and sensors are shown. Their small size and weight provide very little wind loading on the structure.

Weights shown include mounting arms, except for wind sensors.

Total weight of sensors plus mast is 9.45 kg.

